

COLLIER DE PRISE EN CHARGE RENFORCÉ

collier PP-B avec protection anti-UV, bague de renfort inox, joint nitrile (NBR),

boulons acier galvanisé

REINFORCED CLAMP SADDLE

COLLARÍN DE TOMA REFORZADO

AANBOORZADEL INOX VERSTERK

Référence	dxG	L	H	E	F	Nbr boulons	PN	Gr
UCPCR251/2	25x1/2"	38	20	76	49	2	10	69
UCPCR253/4	25x3/4"	38	21	76	49	2	10	75
UCPCR321/2	32x1/2"	41	17	81	56	2	10	113
UCPCR323/4	32x3/4"	41	21	81	56	2	10	119
UCPCR321	32x1"	44	23	81	56	2	10	128
UCPCR401/2	40x1/2"	41	17	81	60	2	10	121
UCPCR403/4	40x3/4"	46	18	81	60	2	10	129
UCPCR401	40x1"	46	23	81	60	2	10	139
UCPCR501/2	50x1/2"	50	17	98	69	4	10	201
UCPCR503/4	50x3/4"	50	18	98	69	4	10	203
UCPCR501	50x1"	52	20	98	69	4	10	212
UCPCR5011/4	50x1"1/4	57	25	98	69	4	10	231
UCPCR631/2	63x1/2"	55	16	105	79	4	10	229
UCPCR633/4	63x3/4"	55	18	105	79	4	10	231
UCPCR631	63x1"	59	20	105	79	4	10	238
UCPCR6311/4	63x1"1/4	63	25	105	79	4	10	256
UCPCR6311/2	63x1"1/2	63	28	105	79	4	10	265
UCPCR751/2	75x1/2"	62	17	120	90	4	10	294
UCPCR753/4	75x3/4"	62	18	120	90	4	10	299
UCPCR751	75x1"	65	21	120	90	4	10	305
UCPCR7511/4	75x1"1/4	68	24	120	90	4	10	316
UCPCR7511/2	75x1"1/2	68	23	120	90	4	10	323
UCPCR752	75x2"	72	27	120	90	4	10	343
UCPCR901/2	90x1/2"	70	17	135	90	4	10	336
UCPCR903/4	90x3/4"	70	19	135	90	4	10	344
UCPCR901	90x1"	72	21	135	90	4	10	349
UCPCR9011/4	90x1"1/4	76	24	135	90	4	10	370
UCPCR9011/2	90x1"1/2	76	24	135	90	4	10	365
UCPCR902	90x2"	80	27	135	90	4	10	390
UCPCR1101/2	110x1/2"	80	17	168	99	4	10	451
UCPCR1103/4	110x3/4"	80	19	168	99	4	10	462
UCPCR1101	110x1"	84	20	168	99	4	10	463
UCPCR11011/4	110x1"1/4	86	23	168	99	4	10	472
UCPCR11011/2	110x1"1/2	86	23	168	99	4	10	478
UCPCR1102	110x2"	90	27	168	99	4	10	496
UCPCR1251/2	125x1/2"	108	25	190	106	6	10	730
UCPCR1253/4	125x3/4"	108	26	190	106	6	10	725
UCPCR1251	125x1"	109	26	190	106	6	10	723
UCPCR12511/4	125x1"1/4	109	25	190	106	6	10	732
UCPCR12511/2	125x1"1/2	113	28	190	106	6	10	751
UCPCR1252	125x2"	113	30	190	106	6	10	754
UCPCR1253	125x3"	125	40	190	106	6	10	895

SORO
POOL



SORO
BUILD



SORO
HOME

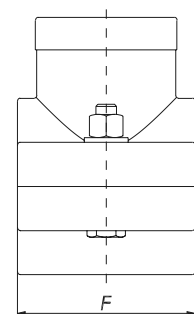
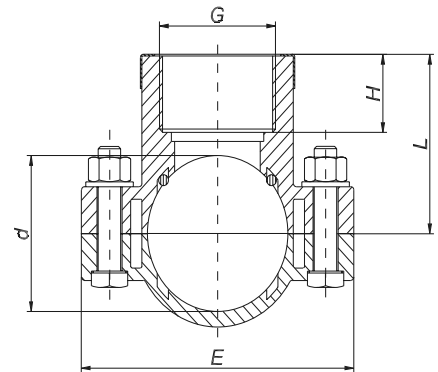


SORO
GROW



UNIDELTA

DELTA ONE
SISTEMA UNIDELTA



COLLIER DE PRISE EN CHARGE RENFORCÉ

collier PP-B avec protection anti-UV, bague de renfort inox, joint nitrile (NBR),
boulons acier galvanisé

REINFORCED CLAMP SADDLE

COLLARÍN DE TOMA REFORZADO

AANBOORZADEL INOX VERSTERK

Référence	dxG	L	H	E	F	Nbr Boulons	PN	Gr
CPCR1401	140x1	-	-	192	135	6	10	800
CPCR14011/4	140x1"1/4	-	-	192	135	6	10	803
CPCR14011/2	140x1"1/2	-	-	192	135	6	10	803
CPCR1402	140x2"	-	-	192	135	6	10	825
CPCR14021/2	140x2"1/2	-	-	192	135	6	6	830
CPCR1403	140x3"	-	-	192	135	6	6	1110
UCPCR1603/4	160x3/4	108	19	215	175	6	16	1121
UCPCR1601	160x1"	110	21	215	175	6	16	1124
UCPCR16011/4	160x1"1/4	113	24	215	175	6	10	1132
UCPCR16011/2	160x1"1/2	115	26	215	175	6	10	1142
UCPCR1602	160x2"	117	30	215	175	6	10	1164
UCPCR16021/2	160x2"1/2	125	32	215	175	6	10	1381
UCPCR1603	160x3"	134	35	215	175	6	10	1435
UCPCR1604	160x4"	135	40	215	175	6	10	1499
UCPCR2003/4	200x3/4"	128	23	262	175	6	16	1579
UCPCR2001	200x1"	130	23	262	175	6	16	1584
UCPCR20011/4	200x1"1/4	133	23	262	175	6	10	1539
UCPCR20011/2	200x1"1/2	133	23	262	175	6	10	1607
UCPCR2002	200x2"	135	30	262	175	6	10	1616
UCPCR20021/2	200x2"1/2	150	32	262	175	6	10	1827
UCPCR2003	200x3"	152	35	262	175	6	10	1804
UCPCR2004	200x4"	155	42	262	175	6	10	1920
CPCR22511/4	225x1"1/4	-	-	294	170	6	6	1760
CPCR22511/2	225x1"1/2	-	-	294	170	6	6	1760
CPCR2252	225x2"	-	-	294	170	6	6	1780
CPCR22521/2	225x2"1/2	-	-	294	170	6	4	1790
CPCR2253	225x3"	-	-	294	170	6	4	1750
CPCR2254	225x4"	-	-	294	170	6	4	1830
CPCR25011/4	250x1"1/4	-	-	320	180	6	6	2090
CPCR25011/2	250x1"1/2	-	-	320	180	6	6	2090
CPCR2502	250x2"	-	-	320	180	6	6	2110
CPCR25021/2	250x2"1/2	-	-	320	180	6	4	2110
CPCR2503	250x3"	-	-	320	180	6	4	2130
CPCR2504	250x4"	-	-	320	180	6	4	2220
CPCR31511/4	315x1"1/4	-	-	390	200	6	6	2810
CPCR31511/2	315x1"1/2	-	-	390	200	6	6	2820
CPCR3152	315x2"	-	-	390	200	6	6	2830
CPCR31521/2	315x2"1/2	-	-	390	200	6	4	2840
CPCR3153	315x3"	-	-	390	200	6	4	2850
CPCR3154	315x4"	-	-	390	200	6	4	2880

SORO
POOL



SORO
BUILD



SORO
HOME



SORO
GROW



UNIDELTA

DELTA ONE
SISTEMA UNIDELTA

